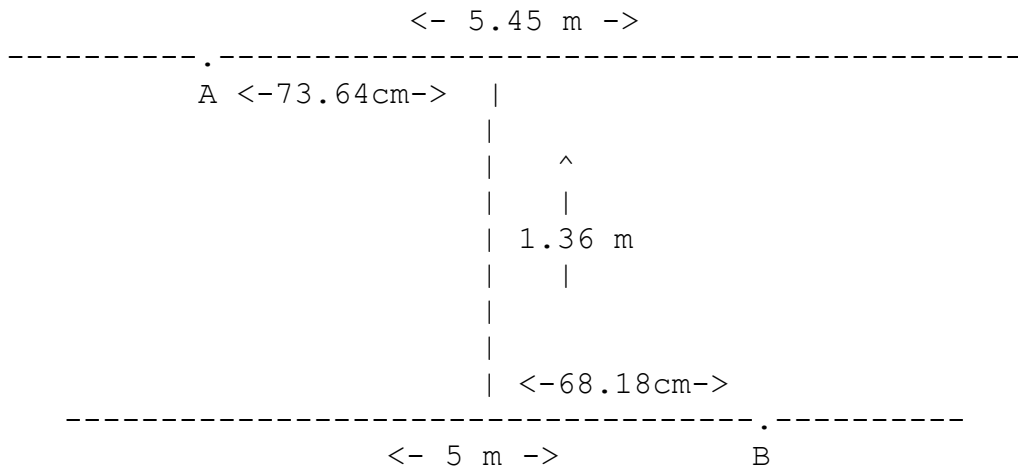


Plumbing clamps gamma-match at points A and B

For 27.5 Mhz:
 $\lambda = 10.9091 \text{ m}$
 $(1/2 \lambda) / 100 = 5.5 \text{ cm}$

$B = 73.64 \text{ cm}$ |
 $A = 68.18 \text{ cm}$ | -> Initial values

*The 'H' - Aluminium made



*The 'Z' - Copper made

